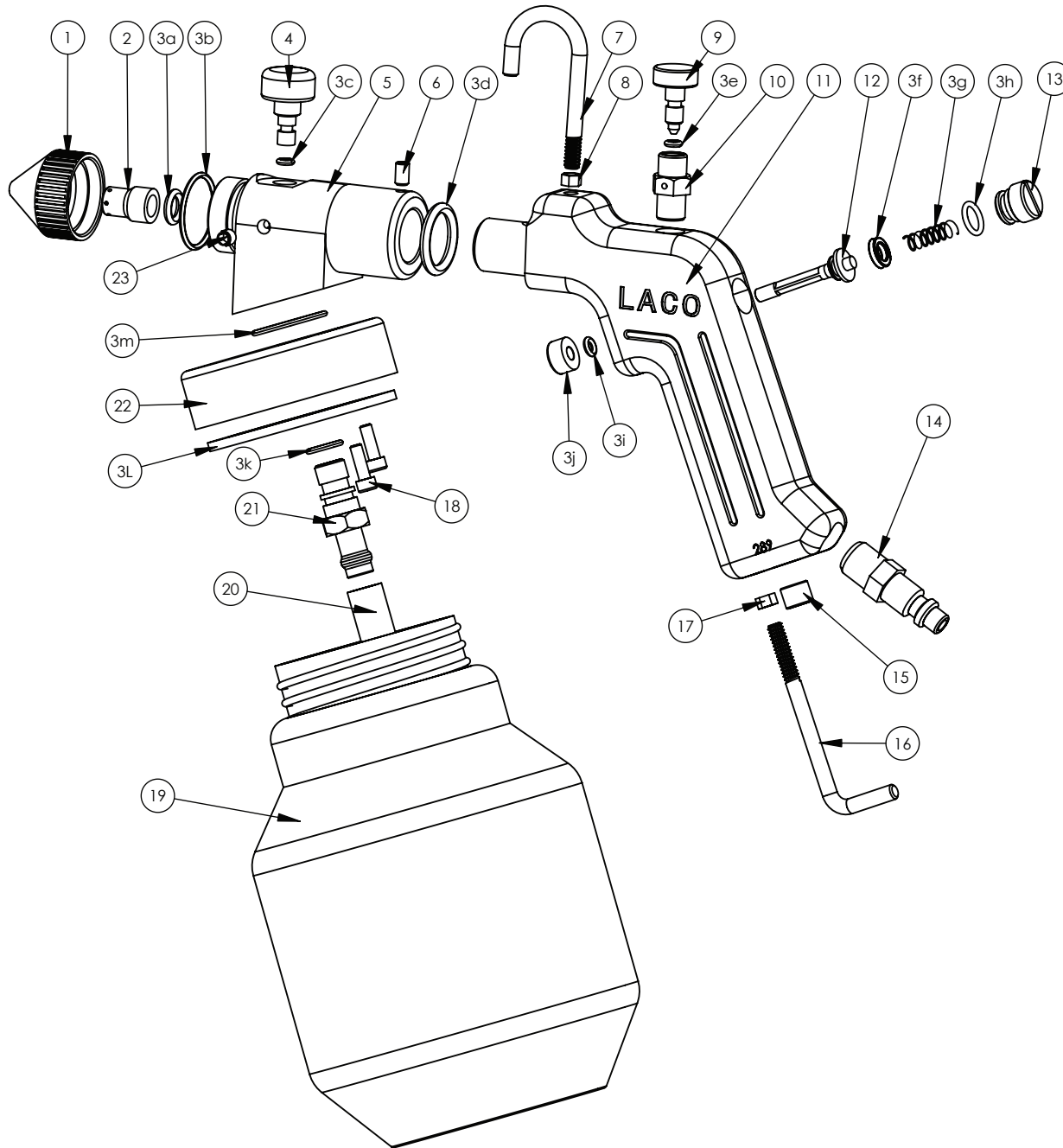




MA1000 AIR TEXTURE GUN

PARTS LIST



Ref No.	Part No.	Description	Price
1	M1004	Texture Spray Tip	\$29.95
2	M1006	Mixer Nozzle	\$16.95
3a		Silicone O-Ring	
3b		Front O-Ring	
4	M1003	Front Air Valve	\$19.95
3c		Front Air Valve O-Ring	
5	M1001	Aluminum Main Body	\$55.00
6		Set Screw	
3d		Inside Rear O-Ring Seal	
7	AR105	Stainless Steel Top Hook	\$7.95
8		Stainless Steel Nut	
9		Rear Air Valve	
10		Rear Air Valve Base	
11		Air Gun Handle	
12		Stainless Steel Shaft	
3f		Stainless Steel Shaft O-Ring	
3g		Stainless Steel Spring	
3h		Rear Brass Plug O-Ring	
13		Rear Brass plug	
14		Air Coupler	
15		Bottom Brass Plug	
16	M1010	Stainless Steel Stand	\$7.95
17		Stainless Steel Nut	
3i		Front Air Shaft O-Ring	
3j		Trigger Button	
18		Stainless Steel Screws	
19	L103	Plastic 50 oz Jar	\$8.95
20	M1011	Rubber Tube 50 oz Jar	\$2.95
21	M1007	S/S Texture Tube	\$22.95
3k		S/S Texture Tube O-Ring	
3L	L120	Jar Gasket	\$2.95
22	M1002	Aluminum Jar Lid	\$31.95
3m		Jar Lid O-Ring	
	M1005	Acoustic Spray Tip	\$29.95
	M1012	MA1000 Tune Up Kit Includes 3a, 3b And 3c	\$3.95
	M1013	MA1000 Rebuild Kit Includes 3a, 3b, 3c, 3d, 3e, 3f, 3g, 3h, 3i, 3j, 3k, 3l And 3m	\$12.95
	M1014	Air Balance Valve Assembly Includes # 9 And # 10	\$19.95
	M1015	S/S Trigger Shaft Assembly Includes 12, 3f, 3g, 3h, 3i, & 3j	\$19.95