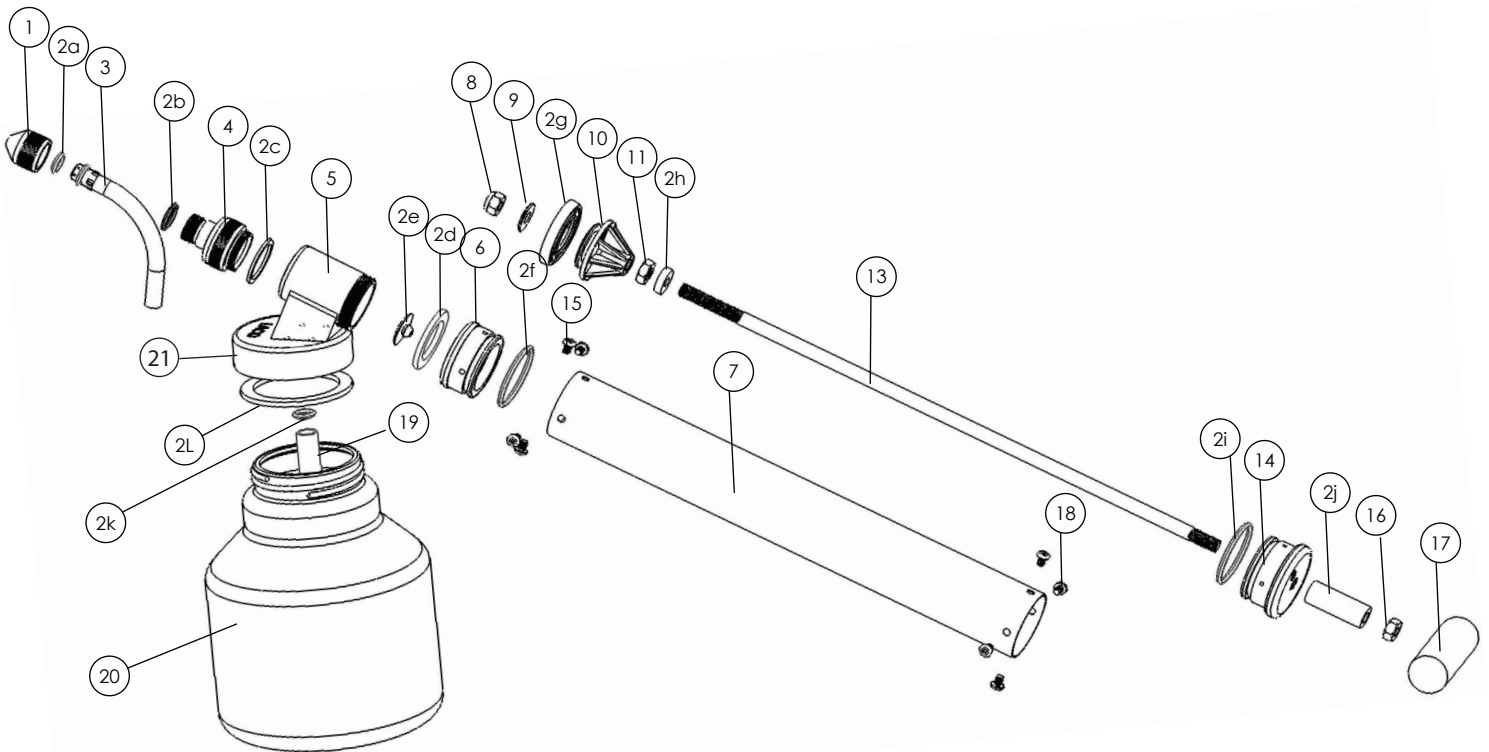


TG850 HAND PUMP TEXTURE GUN PARTS LIST



| Ref No. | Part No. | Description | Price | Ref No. | Part No. | Description | Price | Ref No. | Part No. | Description | Price |
|---------|----------|---------------------------|---------|---------|----------|--|---------|---------|----------|--|---------|
| 1 | L108 | Texture Spray Tip | \$19.95 | 2L | L120 | Jar Gasket | \$1.95 | 12 | | Rod O-Ring | |
| 2a | | Copper Tube O-Ring | | 3 | L104 | Copper Tube | \$20.95 | 13 | L112 | Stainless Steel Rod | \$14.95 |
| 2b | | Nose O-Ring | | 4 | L110-09 | Brass Nose | \$29.95 | 14 | TG115 | End Cap | \$8.95 |
| 2c | | Nose Gasket | | 5 | L102-09 | Brass Main Body | \$52.00 | 15 | TG-CVS | S/S Screws For Check Valve Holder Only | \$1.95 |
| 2d | L121 | Check Valve | \$2.95 | 6 | L105-09 | Brass Check Valve End Cap | \$29.95 | 16 | | Handle Lock Nut | |
| 2e | | Check Valve Holder Gasket | | 7 | TG513 | Brass Pump Body | \$29.95 | 17 | L106 | Aluminum Handle | \$15.95 |
| 2f | | Check Valve Holder O-Ring | | 8 | | Nylon Insert Lock Nut | | 18 | TG-ECS | S/S Screws For End Cap Only | \$1.95 |
| 2g | L122 | Rubber Plunger Cup | \$3.95 | 9 | | Stainless Steel Washer | | 19 | L111 | Rubber Tube For 50 & 64 oz Jar | \$2.95 |
| 2h | | Rod Rubber Bumper | | 10 | L127 | Plunger Cup Holder | \$4.95 | 20 | L124 | 64 oz Plastic Jar | \$11.95 |
| 2i | | End Cap O-Ring | | 11 | | S/S Large Rod Nut | | | L109 | Acoustic Spray Tip | \$19.95 |
| 2j | | Rod Stop | | | TG850 | Rebuild kit Includes 2a, 2b, 2c, 2d, 2e, 2f, 2g, 2h, 2i, 2j, 2k and 2L | \$11.95 | | L101-09 | Brass Jar Lid | \$38.00 |
| 2k | | Rubber Hose O-Ring | | | | | | | L129 | Knockdown Spray Tip | \$19.95 |